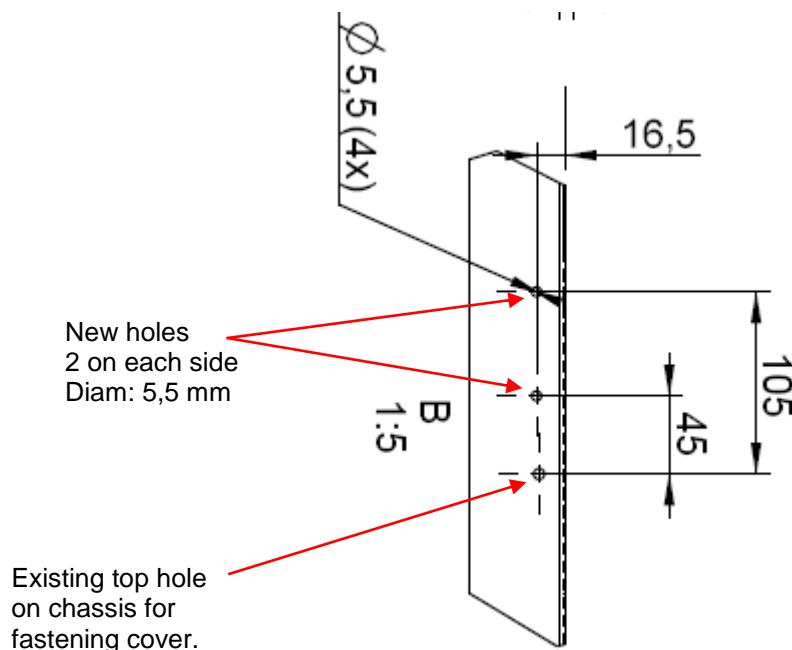
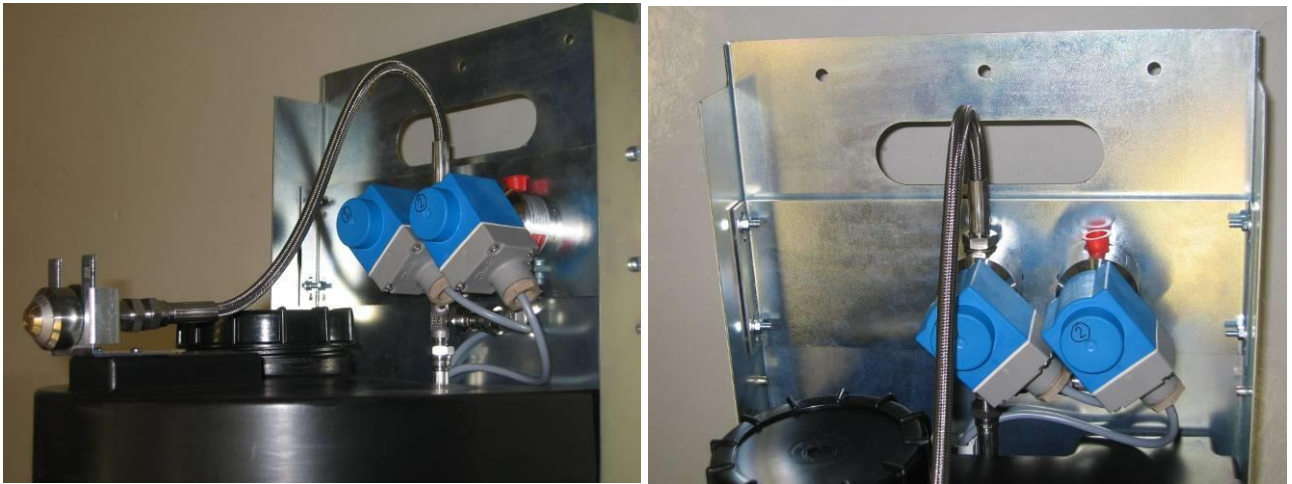


## Installation manual 2-nozzle valve kit

This manual is intended for personnel trained on the Q1 system by Q-Fog I Nora AB. The manual describes installation and set-up of the 2-nozzle valve kit in the Q1 system.

a) Remove the high pressure hose.

b) Fasten the valve plate to the back plate of the system as pictured below. Pre-drilled holes for the plate was introduced from serial no:59 and higher. If the plate is to mounted on systems with serial no:1-58 please drill holes as shown on the drawing.

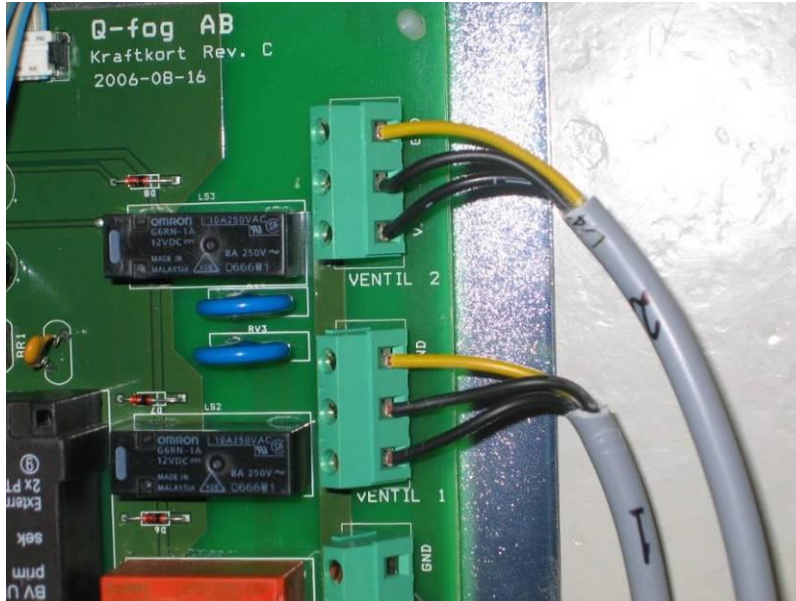


c) Fit the longer high pressure hose included in the kit between the pump and the valve kit and tighten the couplings.

d) Feed the cables from the valve solenoids through the cable duct.

e) Fasten the valve plate to the chassis.

f) Connect the cables as shown in the picture below.



g) Fit the hose in the kit between valve #1 and the nozzle and tighten the couplings.

shorter high pressure

**NB! The valves operates under zone 2 and 3 in the control system**

Zone 2 operates valve 1 and is triggered by:

- detector connected to detector input #2
- manual release channel #2

Zone 3 operates valve 2 and is triggered by:

- detector connected to detector input #3 AND #4 (put a jumper between detector input 3 & 4)
- manual release channel #3

Correct marking





h) Connect the two Manual release panels to the Q1 control system using the enclosed 2 to 1 RJ45 connector.

