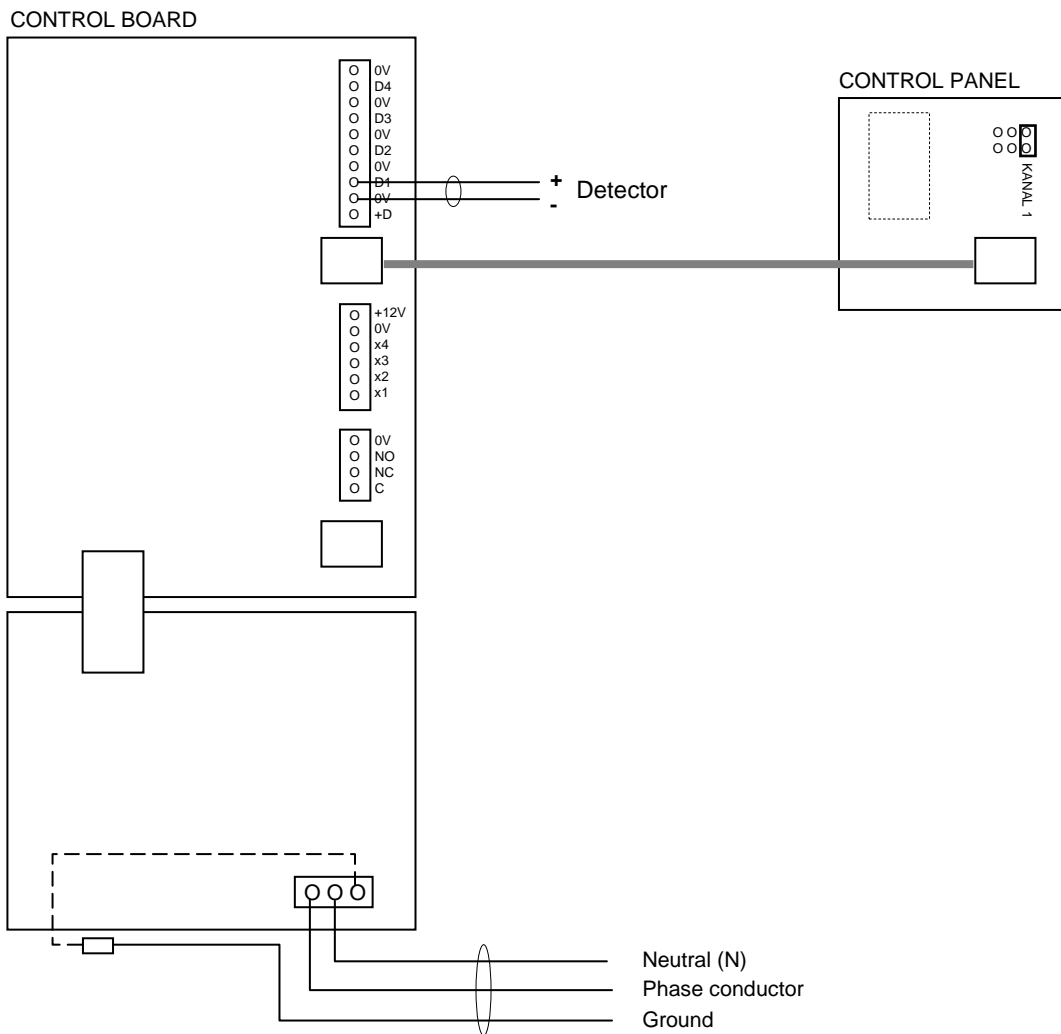
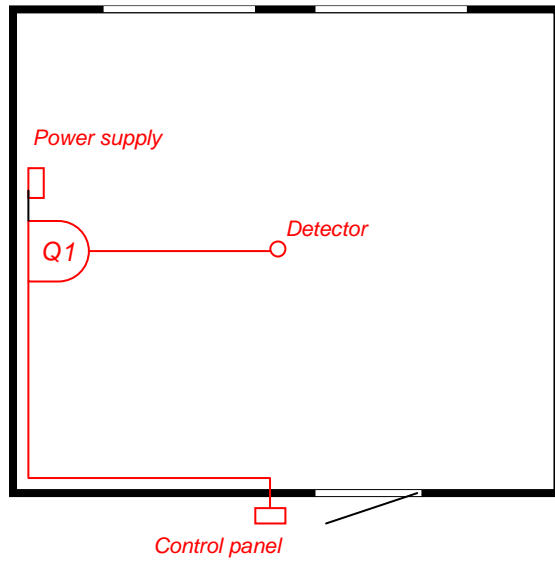
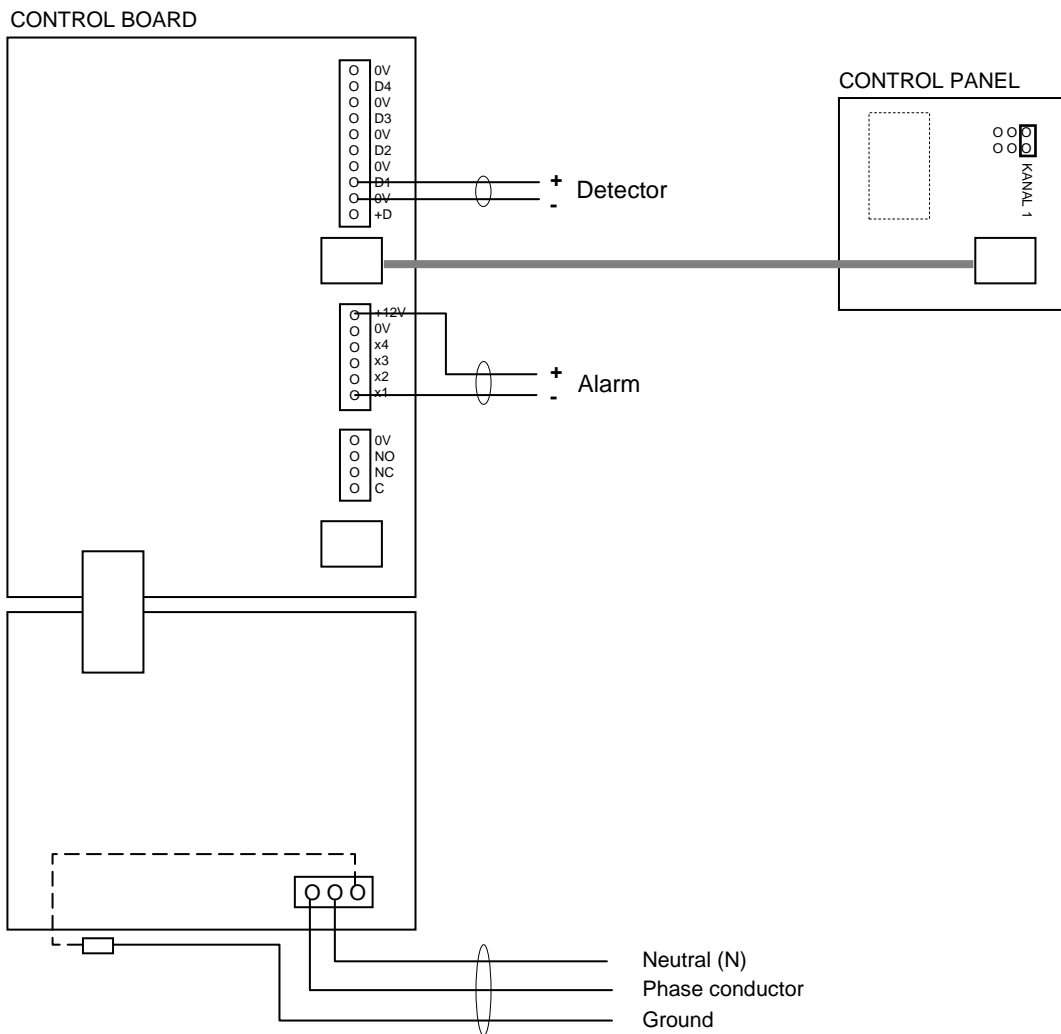
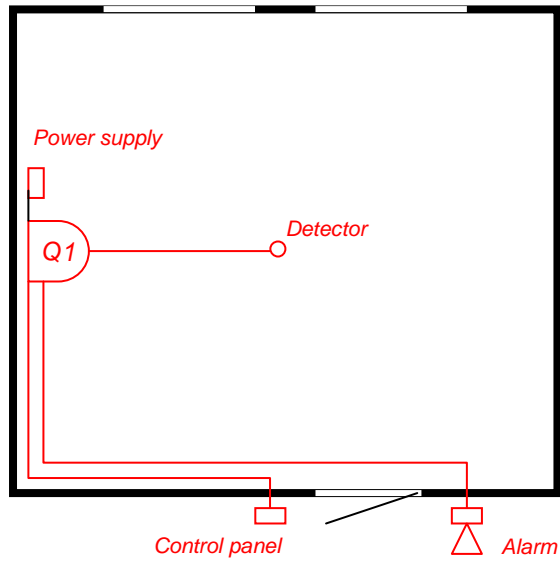


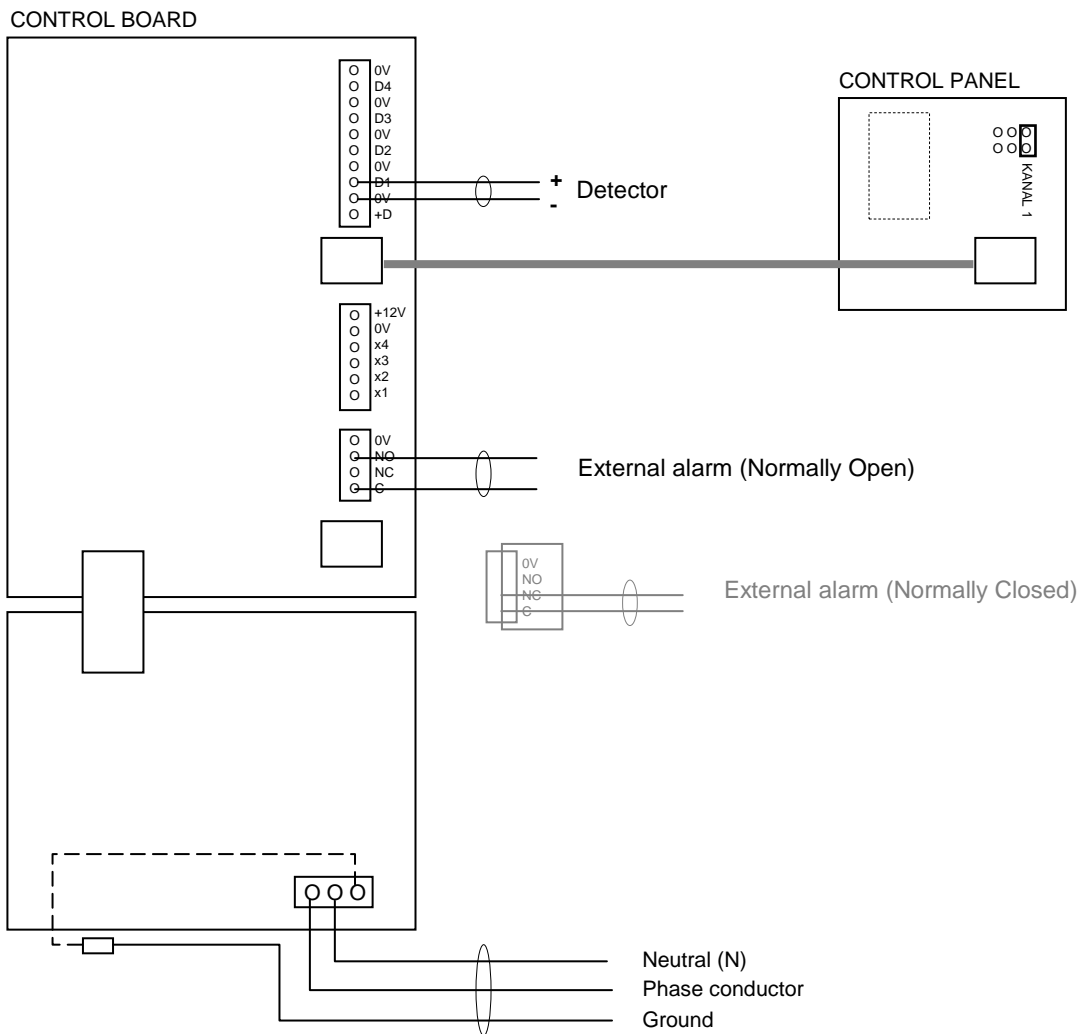
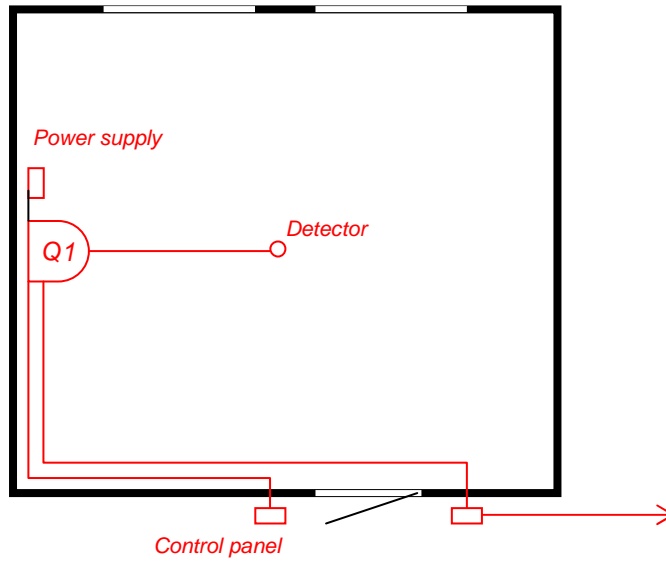
# BASIC INSTALLATION



# BASIC INSTALLATION (with Audible and Visual Alarms)



# BASIC INSTALLATION (with connection to external alarm)



# DUBBLE NOZZLE INSTALLATION

